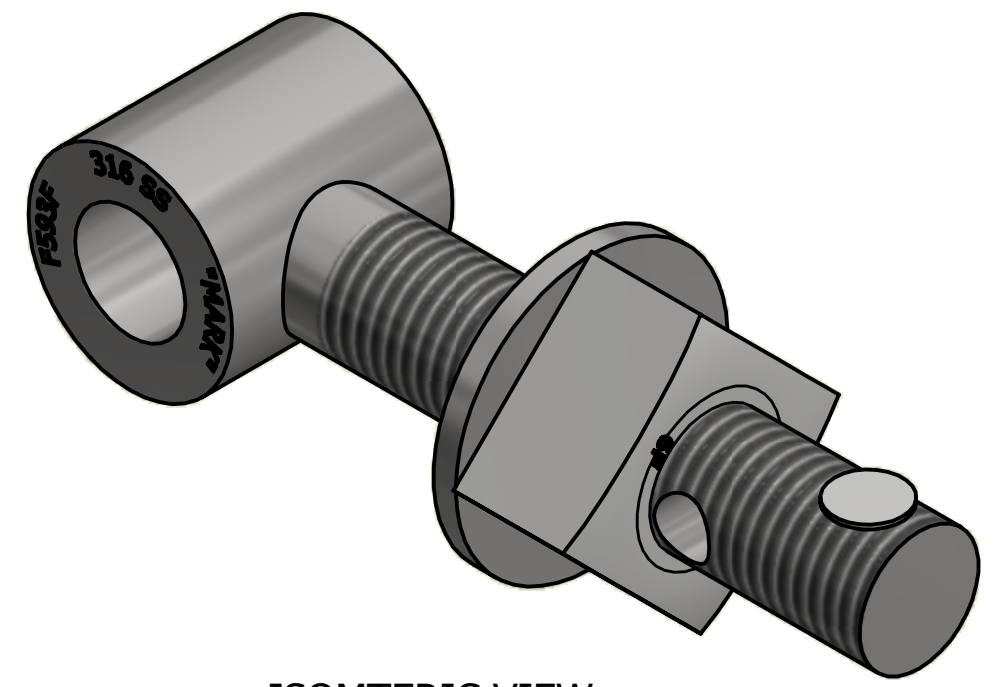
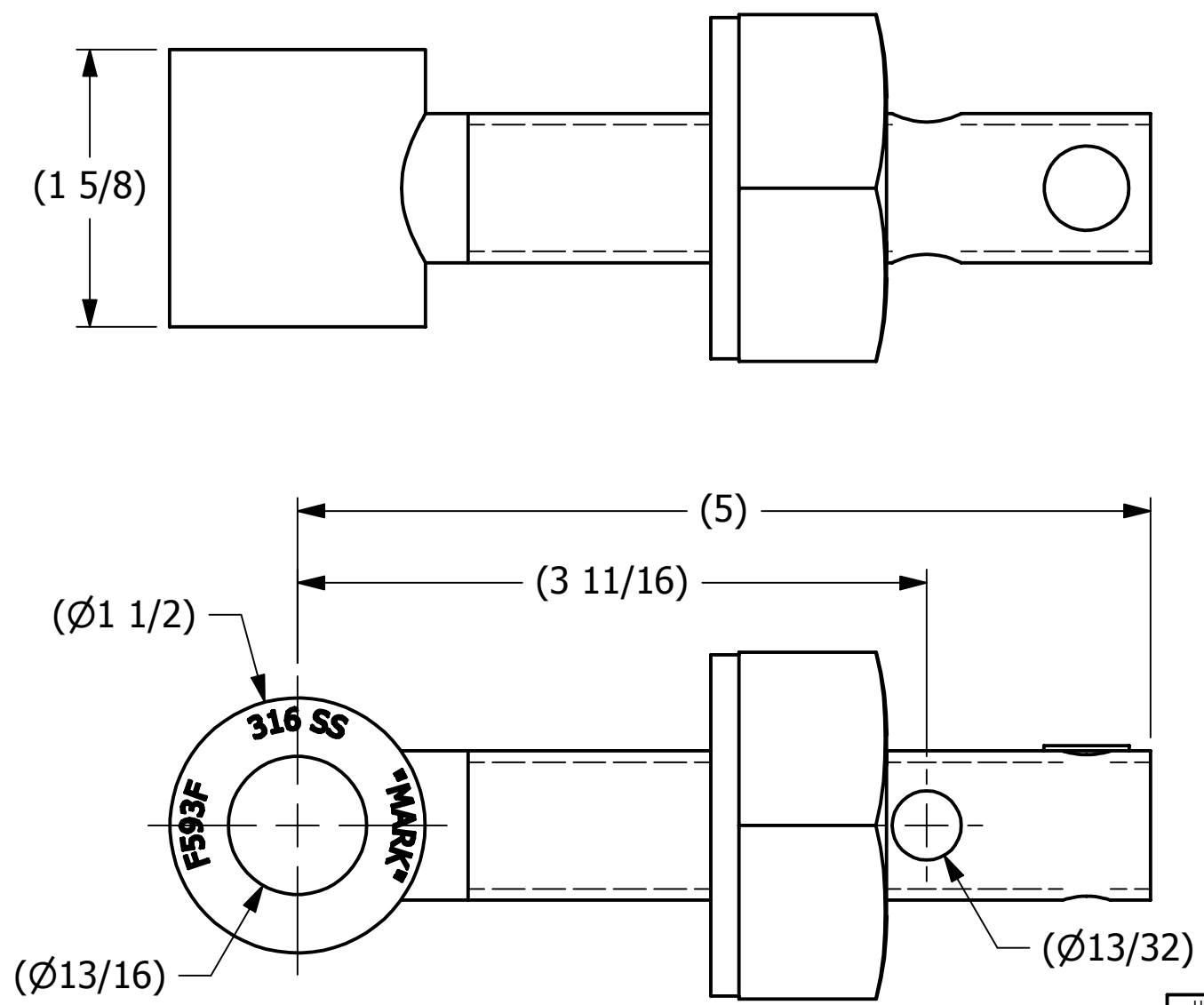


SALES DRAWING

SALES DRAWING



A	CHL	10-4-01	CHANGED PART # FROM EB785TRAS6 TO EB785THAS6
REV	BY	DATE	DESCRIPTION

<small>UNLESS OTHERWISE SPECIFIED DIMENSIONAL TOLERANCES</small> FRACTIONAL: $\pm 1/16$ X.XX: $\pm .03$ X.XXX: $\pm .015$ ANGULAR: $\pm 1^\circ$ <small>DEBURR ALL SHARP EDGES. ALL MACHINED SURFACES TO HAVE A 125 RMS FINISH UNLESS NOTED OTHERWISE.</small> <small>THIRD ANGLE PROJECTION</small>	DRAWN BY:	PJG
	CHECKED BY:	SAB
	PROTOTYPE BY:	PJG
	PROTOTYPE DATE:	12/26/2000
	APPROVED FOR PRODUCTION BY:	SAB
	PRODUCTION DATE:	12/26/2000

SALCO PRODUCTS, INC.		
PART NAME: EYEBOLT ASSEMBLY 7/8"X5"		
MATERIAL: STAINLESS STEEL		
PROJECT #:	SHEET #: 1 OF 1	SCALE: 1:1
DRAWING #: B15284	PART #: EB785THAS6	

THIS PRINT, PROPERTY OF SALCO PRODUCTS INC., CONTAINS PROPRIETARY INFORMATION AND MUST NOT BE COPIED, REPRODUCED, OR USED DETRIMENTALLY TO OUR INTEREST.